

# STCCS012 POWER TOOL CHARGING STATION

OWNER'S MANUAL



FOR YOUR SAFETY  
PLEASE READ THESE INSTRUCTIONS CAREFULLY  
AND RETAIN THEM FOR FUTURE USE.





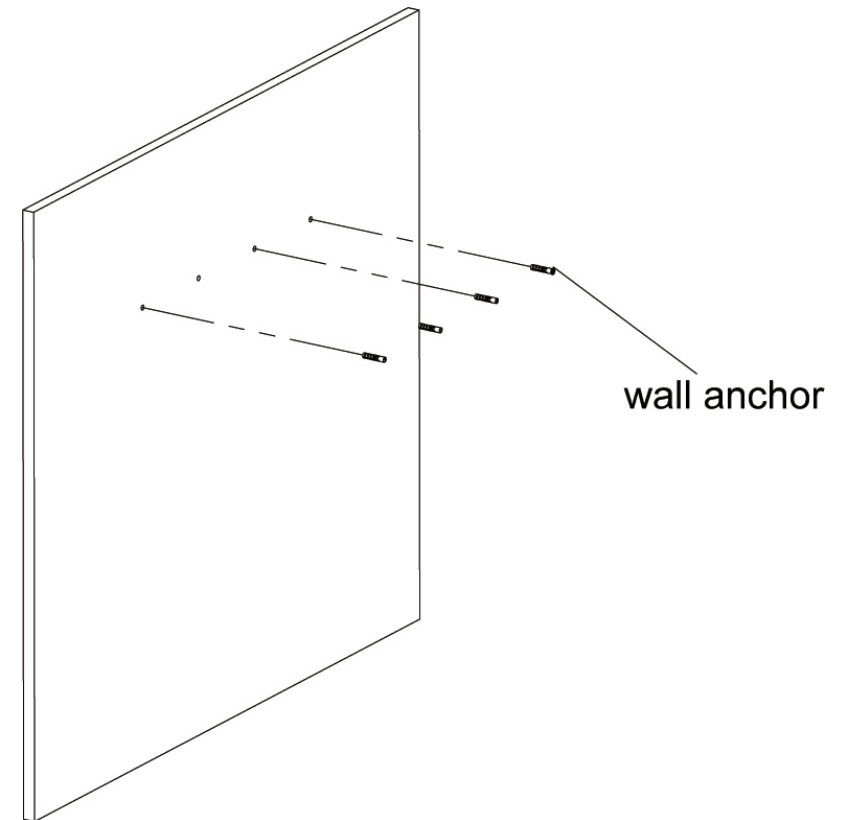
**WARNING:** Before using this product, please read this owner's manual and follow all its Safety Rules and Operating Instructions.

### SAFETY RULES AND PRECAUTIONS

- DO NOT STAND ON THIS PRODUCT
- DO NOT MOUNT THIS PRODUCT ON A TRUCK BED OR ANY OTHER MOVING OBJECT
- KEEP THE PRODUCT ON A LEVEL SURFACE. THE PRODUCT MAY BECOME UNSTABLE AND TIP IF STORED OR MOVED ON A UN-LEVEL SURFACE, WHICH MAY CAUSE PERSONAL INJURY OR PRODUCT DAMAGE.
- FAILURE TO SECURELY MOUNT THE WALL BRACKET INTO THE WALL STUDS MAY RESULT IN THE CABINET FALLING OFF THE WALL, WHICH COULD LEAD TO PERSONAL INJURY OR PRODUCT DAMAGE.
- LUBRICATE THE TOP AND BOTTOM CHANNELS OF THE DRAWER SLIDES AT LEAST TWICE A YEAR.

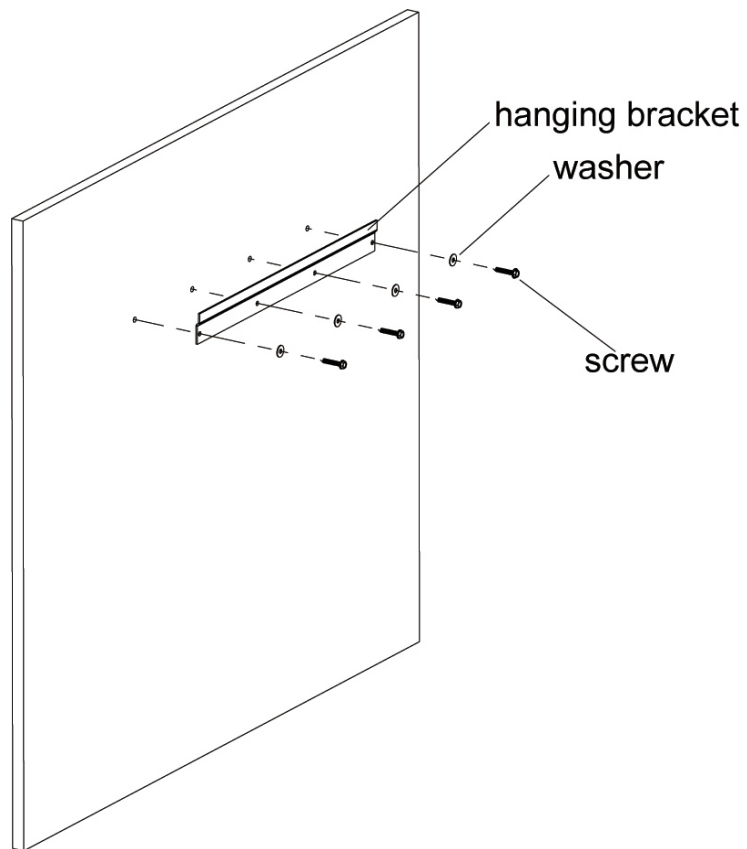
### 1. DRILL WALL ANCHORS HOLES

- Drill the holes for the wall anchors at the desired location and insert the 4 wall anchors.



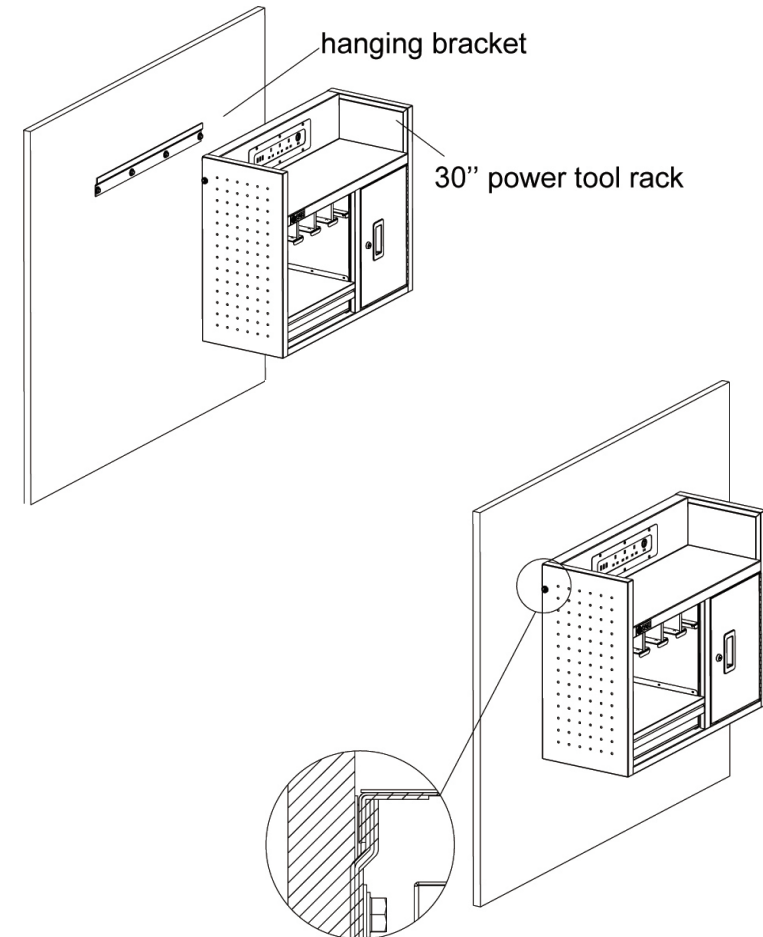
## 2. INSTALL HANGING BRACKET

- Use the 4 screws and washers provided to mount the hanging bracket to the wall.



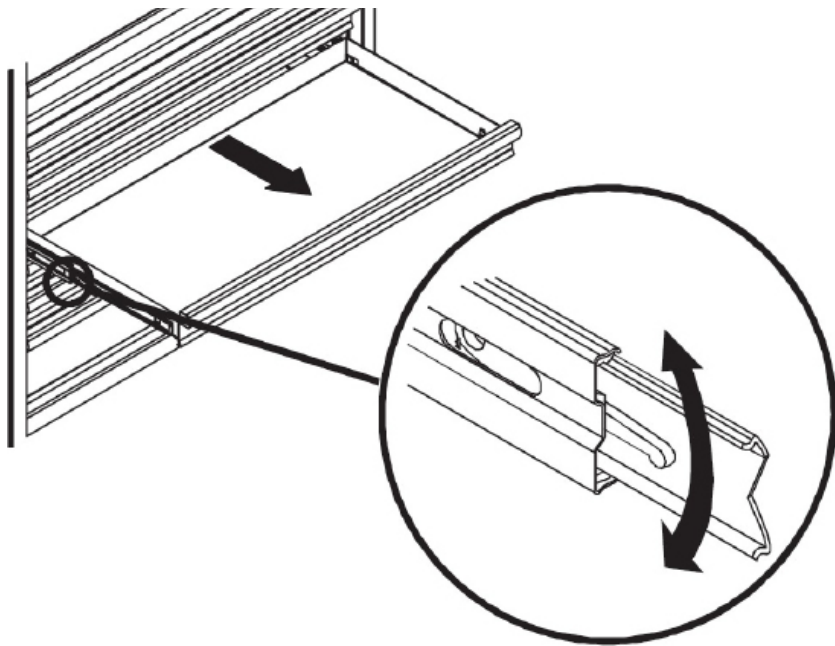
## 3. PLACE POWER TOOL RACK

- Hang the power tool rack on the hanging wall bracket.



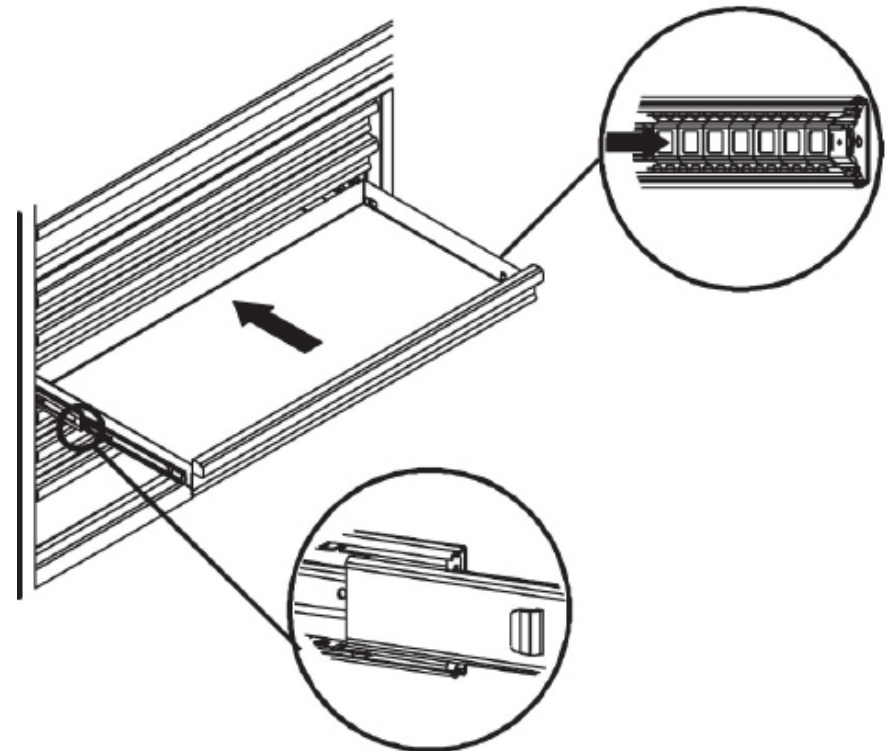
## 1. REMOVING THE DRAWER

- Fully extend and empty the drawer.
- Depending on the slide, either lift or lower the release lever on both sides so the slides can ride over the stops.
- Pull the drawer outward until it releases from the drawer slide.



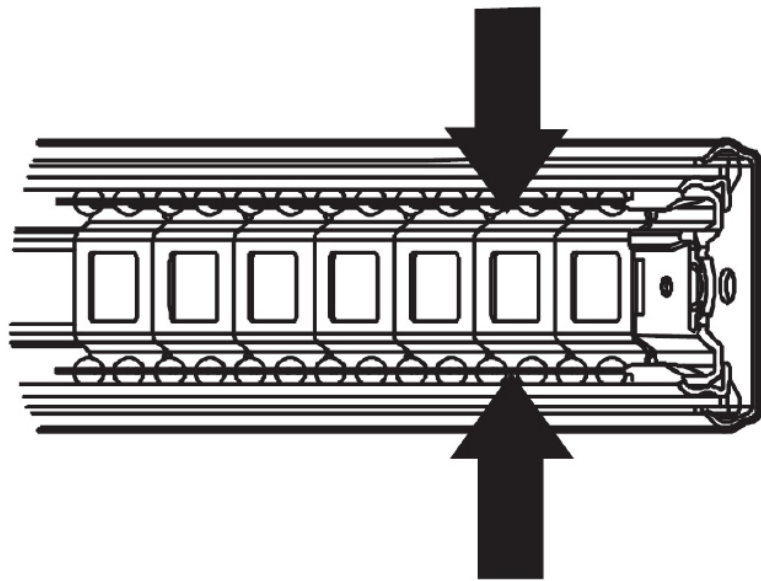
## 2. INSTALLING THE DRAWER

- Pull the slides and slide carrier out until fully extended.
- Hold the slide on the cabinet while aligning it with the slide on the drawer.
- Slightly insert one side and repeat for the other side.
- Slowly push the drawer until it is fully closed to engage the slide.
- Open the drawer and close it to verify proper operation.



### 3. MAINTAINING THE DRAWER

- Periodically clean the drawer trim and inside the drawer with a mild detergent and water.
- Remove grease and oil with a standard , nonflammable cleaning fluid.
- The use of drawer liners is recommended to protect the finish inside the drawers and make the drawers easier to clean. Drawer liners can be cleaned with soap and water.
- Lubricate the slides semi-annually with grease or equivalent lubricant.



FOR YOUR SAFETY  
PLEASE READ THESE INSTRUCTIONS CAREFULLY  
AND RETAIN THEM FOR FUTURE USE.



SGS Engineering (UK) Ltd  
West Side Park  
Raynesway  
Derby, DE21 7AZ

### EC Declaration of Conformity

This is an important document and should be retained

MANUFACTURER'S NAME: SGS Engineering (UK) Ltd

TYPE OF EQUIPMENT: Power Tool Charging Station

PART NUMBER: STCCS012

APPLICATION OF EC COUNCIL DIRECTIVES / STANDARD:

2006/42/EC Machinery Directive (MD)

I, the undersigned, hereby declare that the equipment specified above conforms to the above European Communities Directive(s) and Standard(s).

PLACE: Derby, UK

DATE: 17th DECEMBER 2021

A handwritten signature in black ink, appearing to read 'Robert Wyatt'.

(Signature)  
Robert Wyatt  
Company Secretary